

# 5022 SD-U



, 1/2" . 3/4"

SD ( - )

SD -

• SD -

12



SD ( - )

SD ( - )

• SD -

12



5022 SD-U -

( / )

(CU)

( )	( )	( / )	( )	( )				
				9x9	9x10	10x10	10x12	12x12
2.5x1.8	1.5	0.440	18.5	5.4	4.9	4.4	3.7	3.1
	2.0	0.480	19.5	5.9	5.3	4.8	4.0	3.3
	2.5	0.535	21.0	6.6	5.9	5.4	4.5	3.7
	3.0	0.590	21.5	7.3	6.6	5.9	4.9	4.1
	3.5	0.635	22.0	7.8	7.1	6.4	5.3	4.4
	4.0	0.685	21.5	8.5	7.6	6.9	5.7	4.8
F.R.	30-50	0.590	21.0	7.3	6.5	5.0	4.9	4.1
2.8x1.8	1.5	0.510	19.0	6.3	5.7	5.1	4.3	3.5
	2.0	0.620	20.0	6.9	6.2	5.6	4.7	3.9
	2.5	0.690	21.5	7.8	7.1	6.4	5.3	4.4
	3.0	0.760	22.0	8.5	7.7	6.9	5.8	4.8
	3.5	0.820	23.0	9.3	8.3	7.5	6.3	5.2
	4.0	0.860	22.5	9.9	8.9	8.0	6.7	5.6

-	CU < 85%	CU 85-88%	CU 88-92%	CU > 92%
---	----------	-----------	-----------	----------

: 1.8-

## PROIrrigation

Москва, ул. Молодогвардейская, д.54.

Тел.: 8(495)790-2951

Сайт: profirrigation.ru

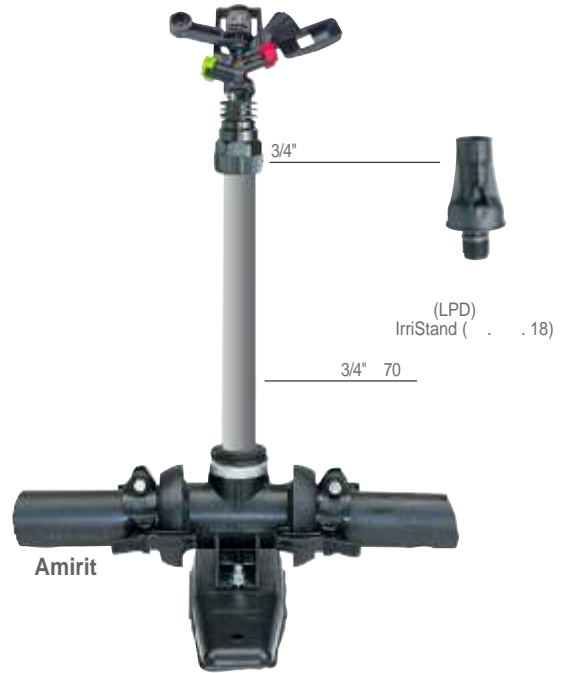
E-mail: profirrig@mail.ru

# 5022 SD

## IrriStand

1/2"

3/4"



Amirit

(LPD)  
IrriStand ( . . . 18)

3/4" 70

### 5022 SD -

( / )

(CU)

( )	( )	( / )	( )	( )				
				10x10	10x12	12x12	12x14	14x14
3.0	2.5	0.570	21.0	5.7	4.8	4.0	3.4	2.9
	3.0	0.630	22.0	6.3	5.3	4.4	3.8	3.2
	3.5	0.680	23.0	6.8	5.7	4.7	4.1	3.5
	4.0	0.720	23.0	7.2	6.0	5.0	4.3	3.7
3.2	2.5	0.640	21.2	6.4	5.3	4.4	3.8	3.3
	3.0	0.700	22.2	7.0	5.8	4.9	4.2	3.6
	3.5	0.760	23.0	7.6	6.3	5.3	4.5	3.9
	4.0	0.810	23.0	8.1	6.8	5.6	4.8	4.1
3.5	2.5	0.740	23.0	7.4	6.2	5.1	4.4	3.8
	3.0	0.810	23.0	8.1	6.8	5.6	4.8	4.1
	3.5	0.870	24.0	8.7	7.3	6.0	5.2	4.4
	4.0	0.930	25.0	9.3	7.8	6.5	5.5	4.7
4.0	2.5	0.950	23.2	9.5	7.9	6.6	5.7	4.8
	3.0	1.030	24.2	10.3	8.6	7.2	6.1	5.3
	3.5	1.110	25.0	11.1	9.3	7.7	6.6	5.7
	4.0	1.180	26.0	11.8	9.8	8.2	7.0	6.0

### 5022 SD -

( )	( )	( / )	( )	( )				
				10x10	10x12	12x12	12x14	14x14
3.0x1.8	2.5	0.760	21.0	7.6	6.3	5.3		
	3.0	0.840	22.0	8.4	7.0	5.8		
	3.5	0.900	23.0	9.0	7.5	6.3		
	4.0	0.970	22.0	9.7	8.1	6.7		
3.2x1.8	2.5	0.820	21.0	8.2	6.8	5.7		
	3.0	0.900	22.0	9.0	7.5	6.3		
	3.5	0.980	23.0	9.8	8.2	6.8		
	4.0	1.040	23.0	10.4	8.7	7.2		
3.5x1.8	2.5	0.890	23.0	8.9	7.4	6.2	5.3	
	3.0	0.990	23.0	9.9	8.3	6.9	5.9	
	3.5	1.060	24.0	10.6	8.8	7.4	6.3	
	4.0	1.150	24.0	11.5	9.6	8.0	6.8	
4.0x1.8	2.5	1.100	24.0	11.0	9.2	7.6	6.5	5.6
	3.0	1.220	25.0	12.2	10.2	8.5	7.3	6.2
	3.5	1.330	25.0	13.3	11.1	9.2	7.9	6.8
	4.0	1.430	26.0	14.3	11.9	9.9	8.5	7.3

: 1.8-

# PROIrrigation

Москва, ул. Молодогвардейская, д.54.  
Тел.: 8(495)790-2951  
Сайт: profirrigation.ru  
E-mail: profirrig@mail.ru